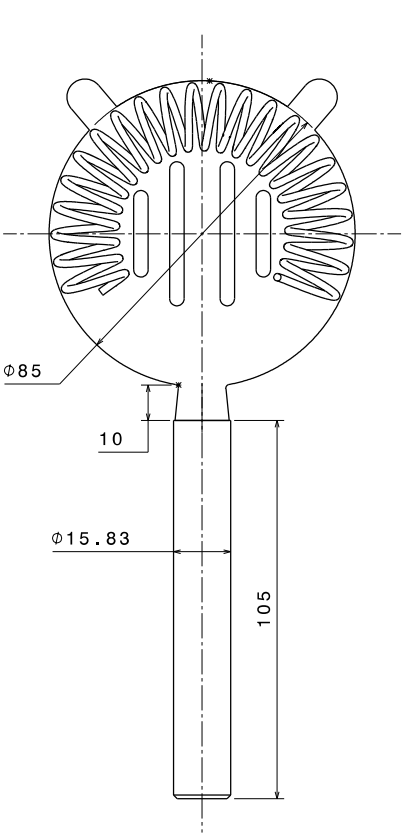


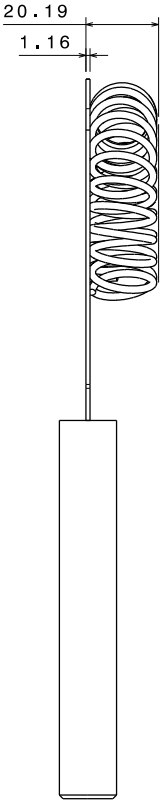
STRAINER SR500

Branding

Permanent laser branding dimension.



Right view
Scale: 1:1

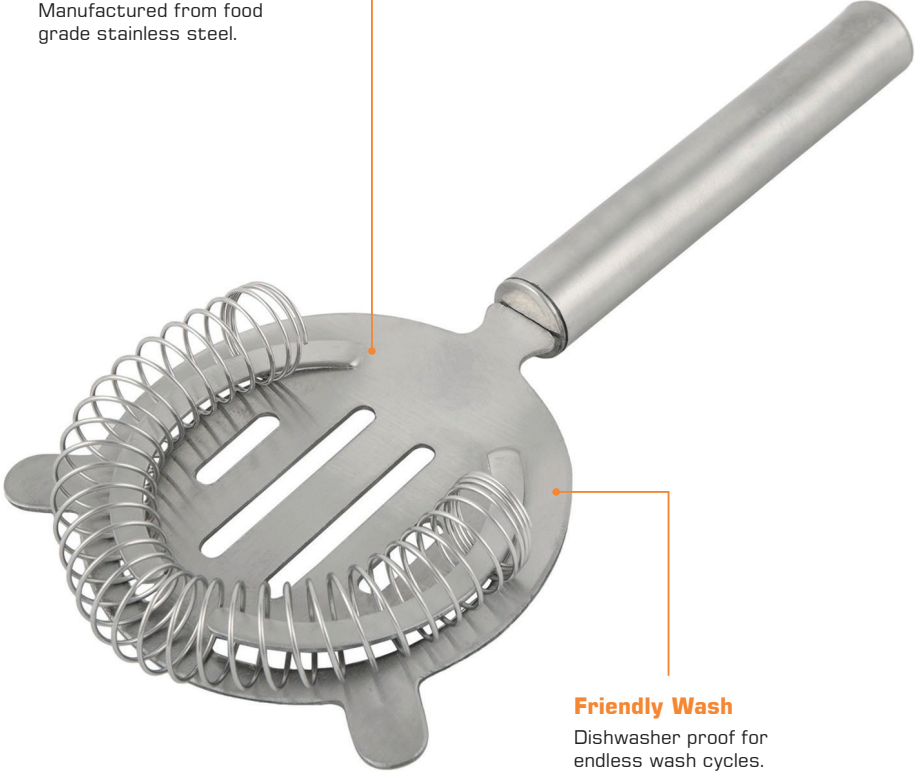


Front view
Scale: 1:1

	SR500
Dimensions mm (Dia x H)	190 x 100
Weight g	80

Long-Life Durability

Manufactured from food grade stainless steel.



Friendly Wash

Dishwasher proof for endless wash cycles.



Branded Tumblers & Barware
design@brym-uk.com
01726 256890