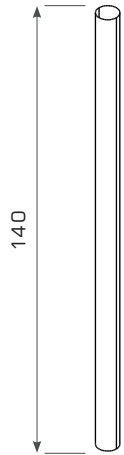
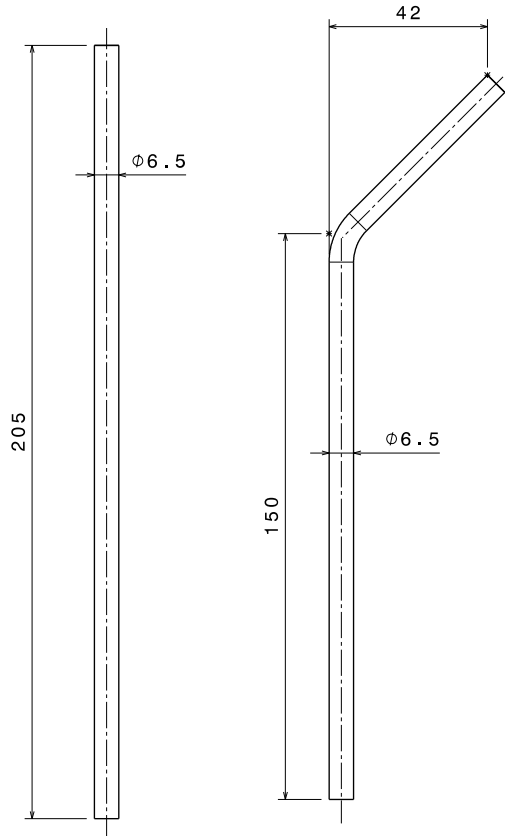


# STRAWS DS600



Isometric view  
Scale: 1:1



Front view  
Scale: 1:1

Front view  
Scale: 1:1

	DS601	DS602	DS603
Dimensions mm (Dia x H)	140 x 6.5	205 x 6.5	205 x 6.5
Weight g (Empty :)	12	15	15
Finish	Satin Stainless Steel		

### Long-Life Durability

Manufactured from food grade stainless steel.

### High Capacity

Regular use in commercial applications.

### Friendly Wash

Dishwasher proof for endless wash cycles.

### Personalise

Available in a fine range of metal or powder-coat finishes and laser branding.



Branded Tumblers & Barware  
design@brym-uk.com  
01726 256890

